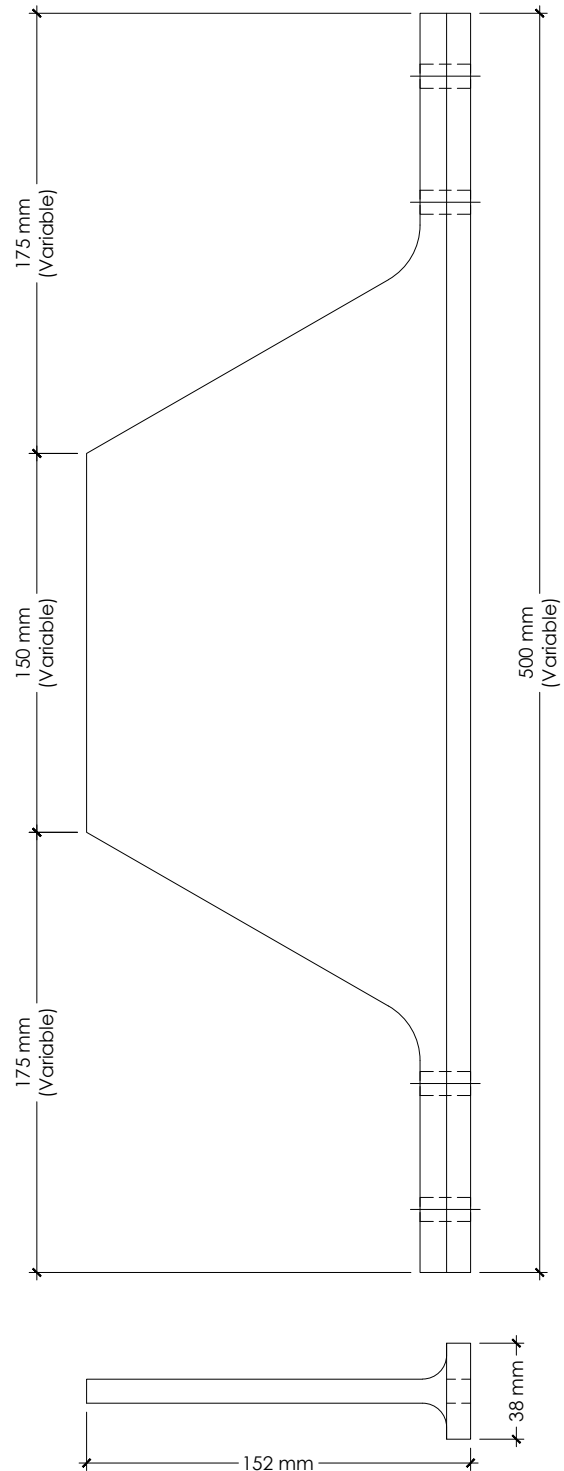
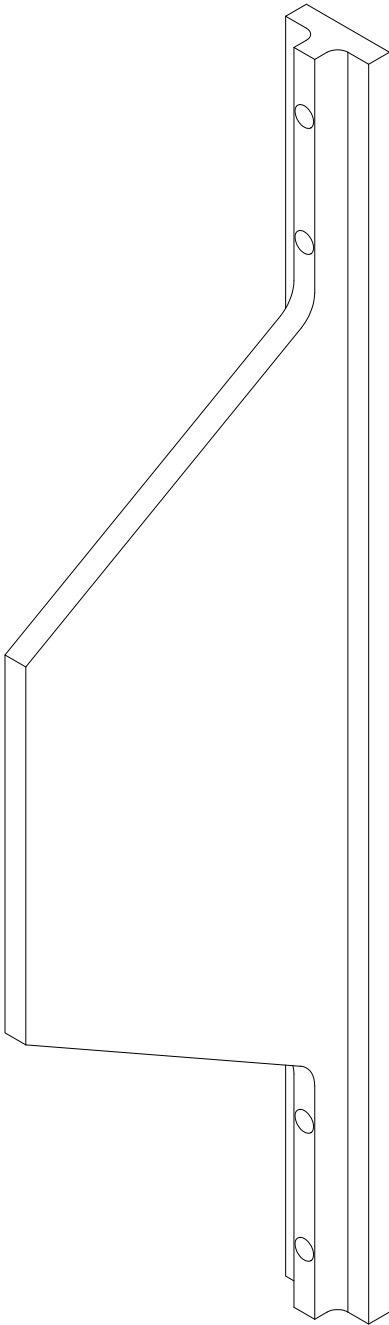


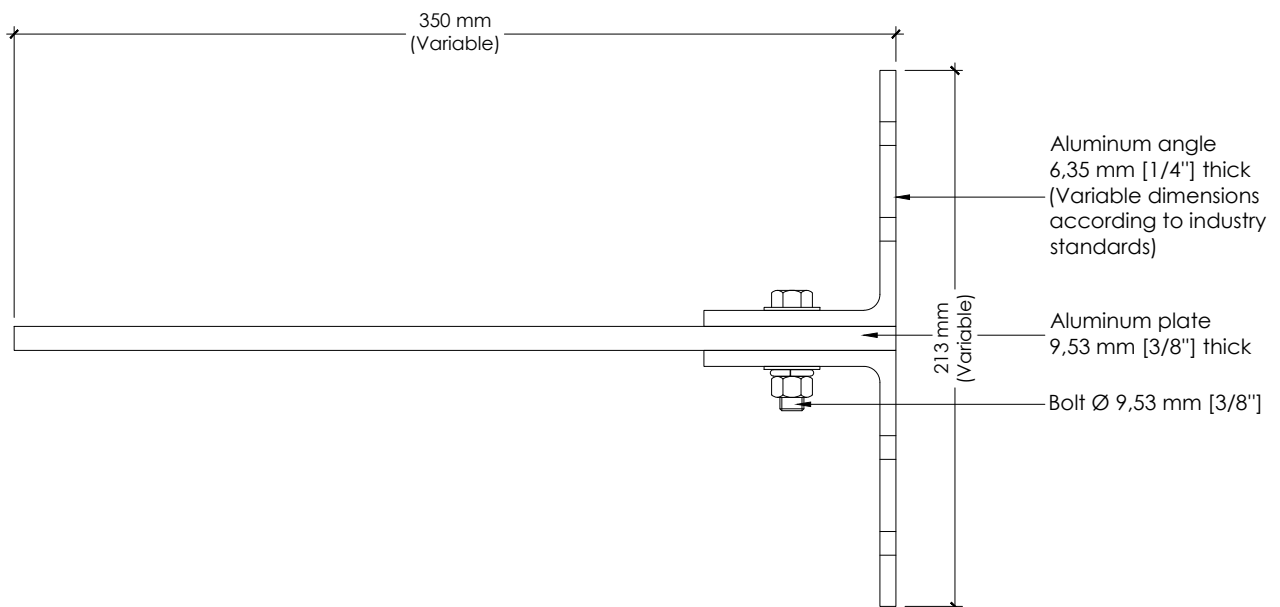
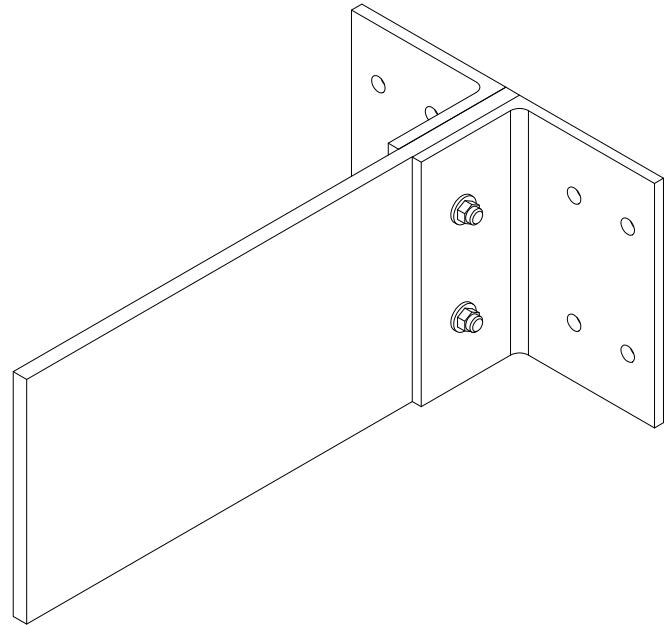
□ **Curtain wall anchor**

152 x 38 x 9.53 mm (6" x 1 1/2" x 3/8") aluminum extrusion  
Designed to be installed in curtain wall mullions, but can also be installed on the surface of a wall.  
*Curtain wall (or building) mounting hardware, by others.*



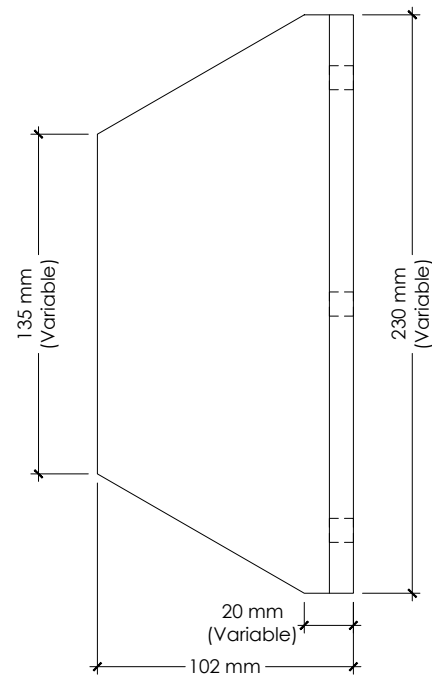
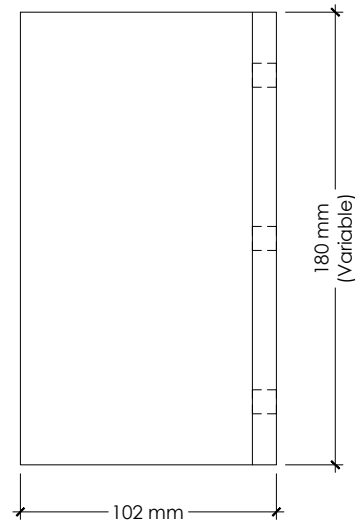
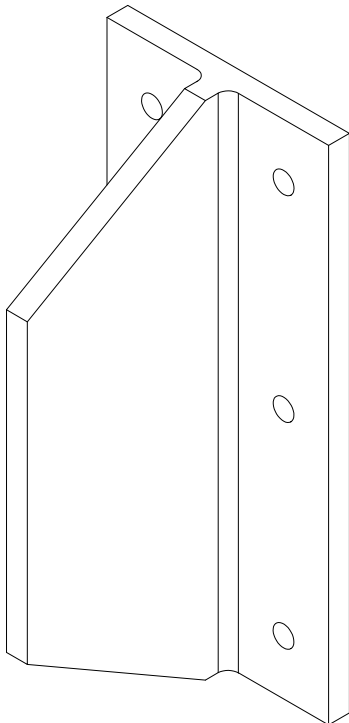
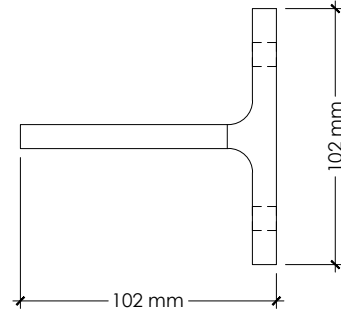
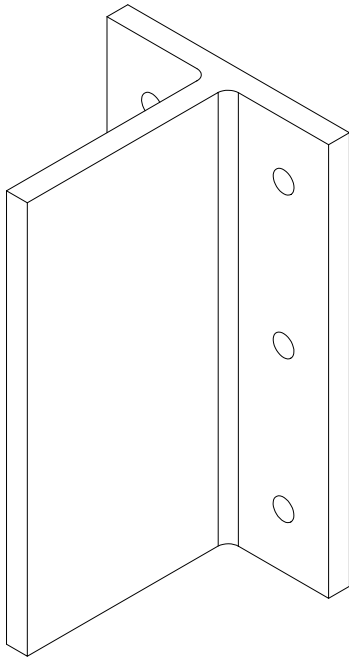
### □ Mechanical anchor

Aluminum angles and plate assembled mechanically and offering a wide variety of dimensions. Designed to be installed behind cladding. *Building mounting hardware by others.*



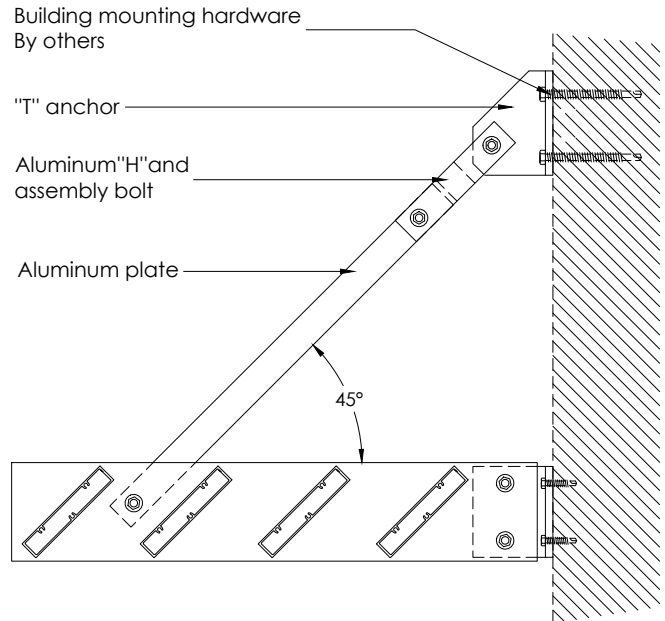
### □ "T" anchor

102 x 102 x 9,53 mm (4" x 4" x 3/8") aluminum extrusion  
 Cut straight or beveled according to the recommendations  
 of the engineering department.  
*Building mounting hardware by others*

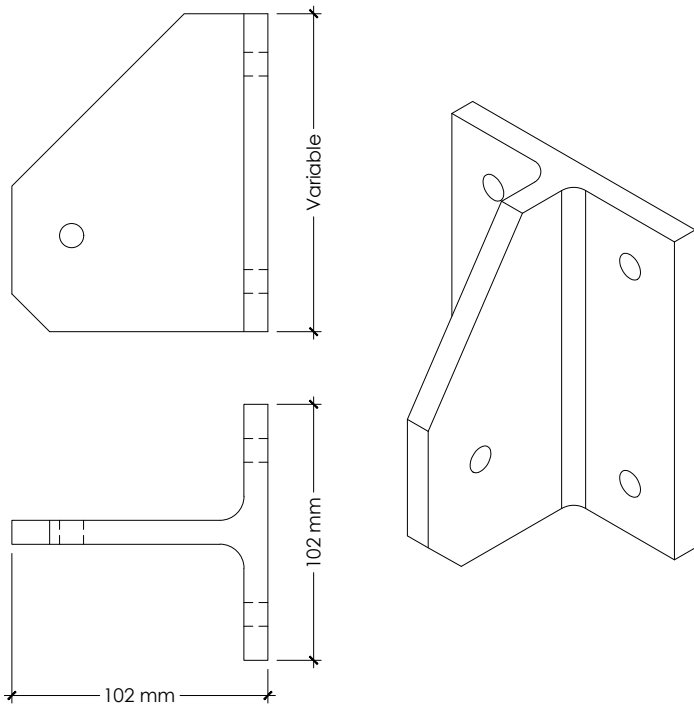


### □ Aluminum tie rod

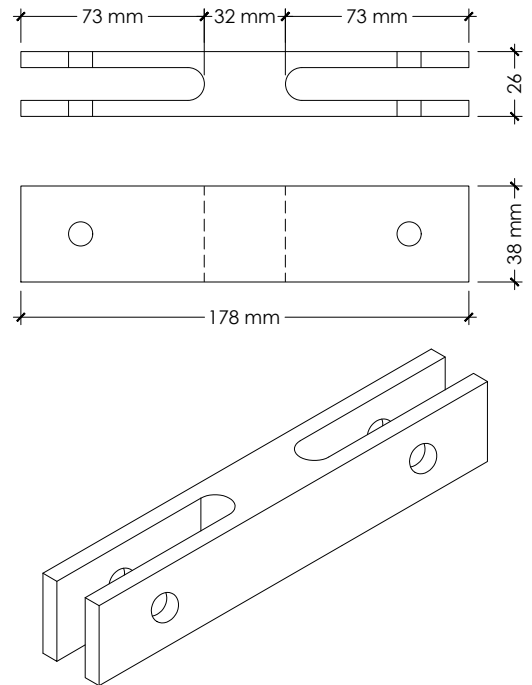
- 102 x 76 x 9,53 mm [4" x 3" x 3/8"] aluminum "T" anchor
- 38,1 x 9,53 mm [1 1/2" x 3/8"] aluminum "H"
- 38,1 x 9,53 mm [1 1/2" x 3/8"] aluminum anchor drilled on one end only. To be cut on site to allow a better fit



### Aluminum "T" anchor



### Aluminum "H"



### Aluminum plate

